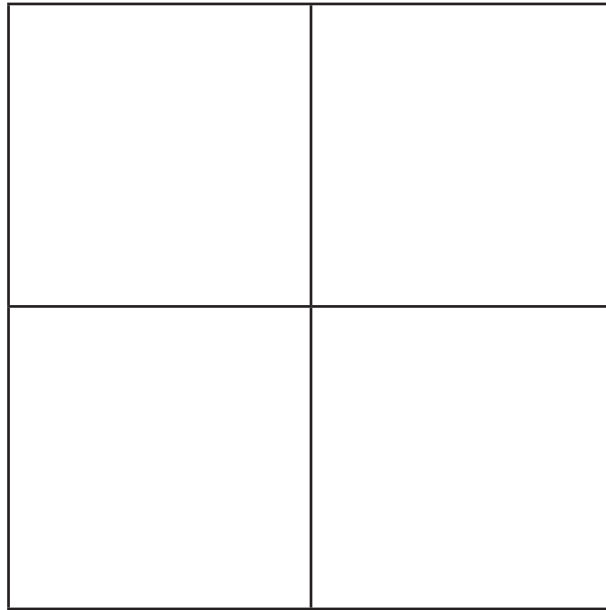
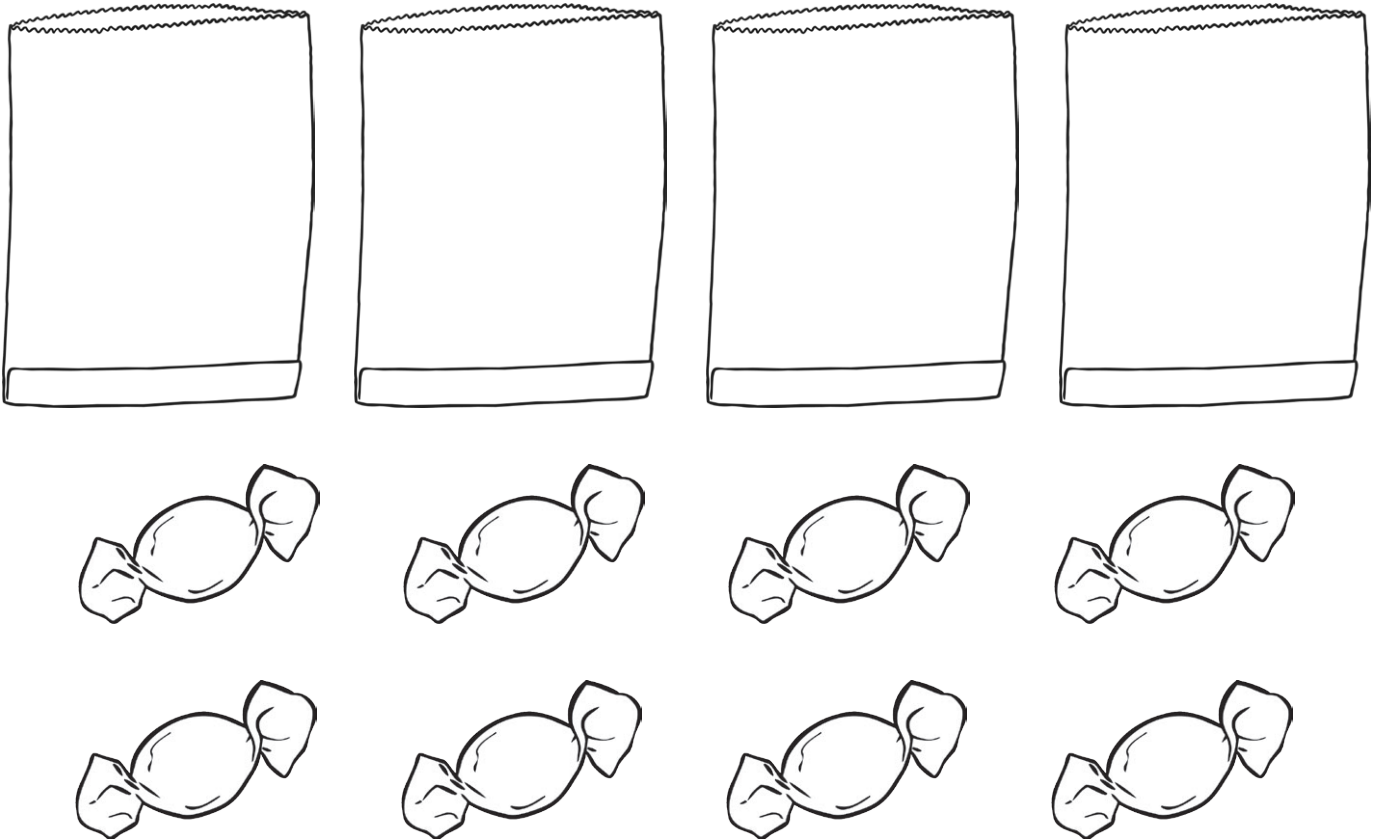


Finding Quarters

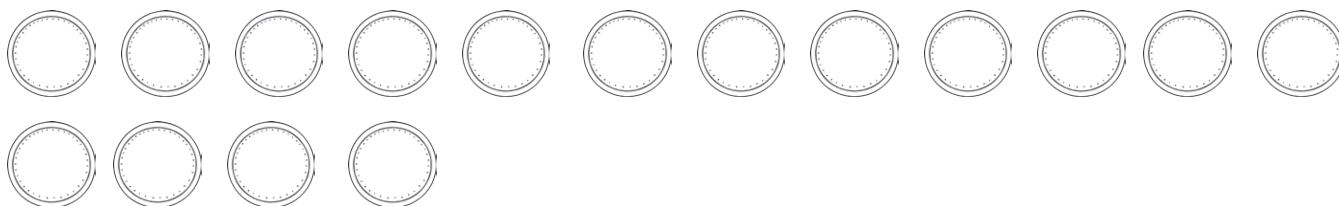
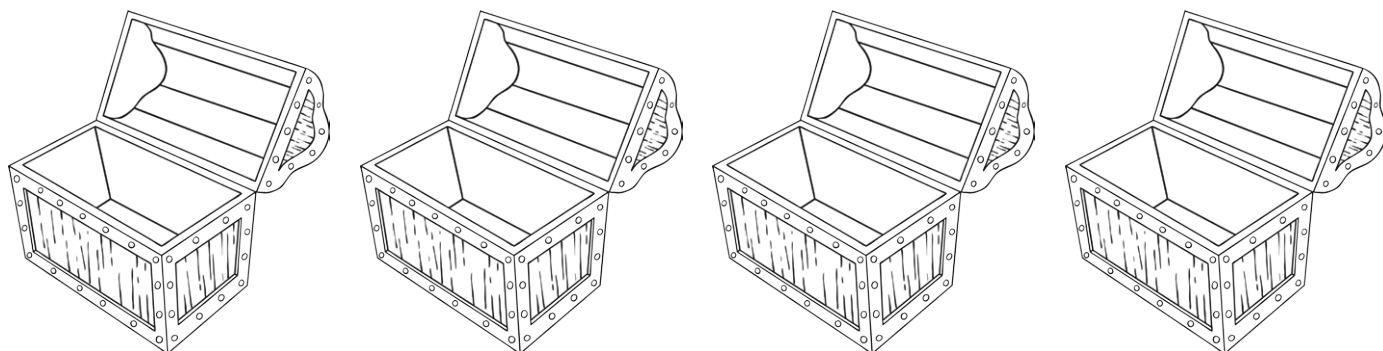
1. Colour each quarter a different colour. How many colours will you need?



2. There are 8 sweets. Put $\frac{1}{4}$ of the sweets into each bag.



3. There are 16 coins. Put $\frac{1}{4}$ of the coins into each chest.

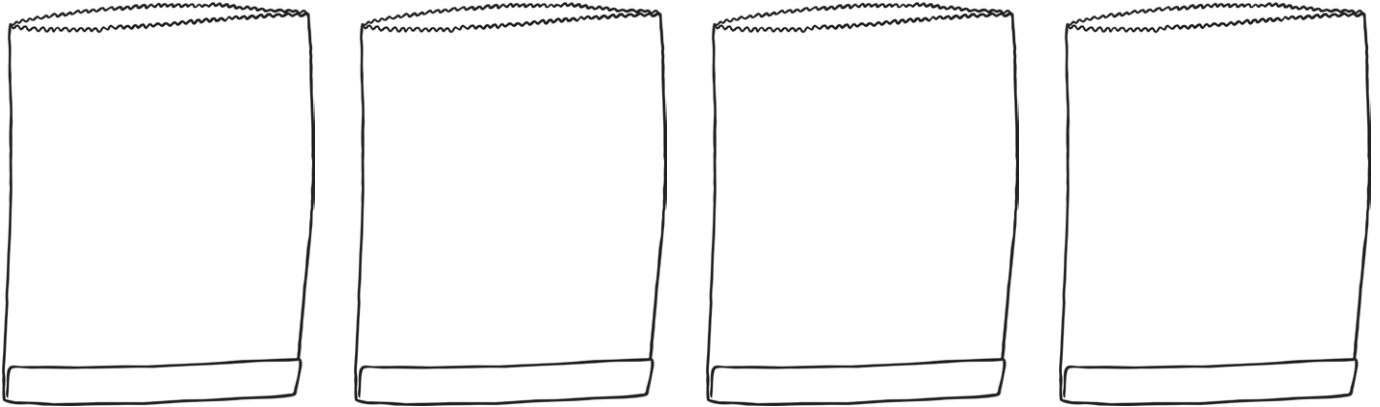


4. Colour $\frac{1}{4}$ of the socks.

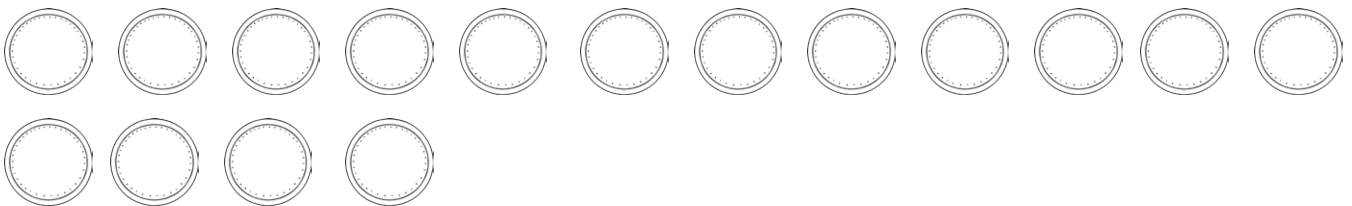
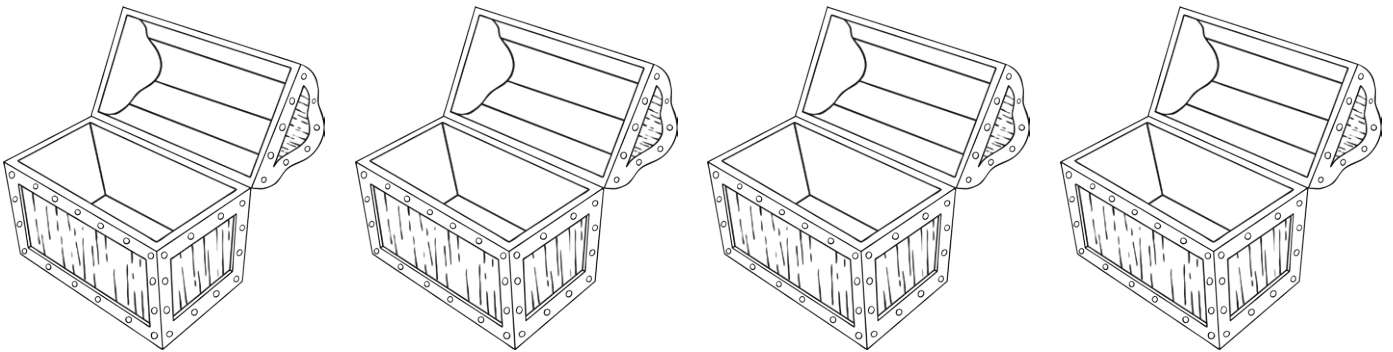


Finding Quarters

1. There are 8 sweets. Put $\frac{1}{4}$ of the sweets into each bag.



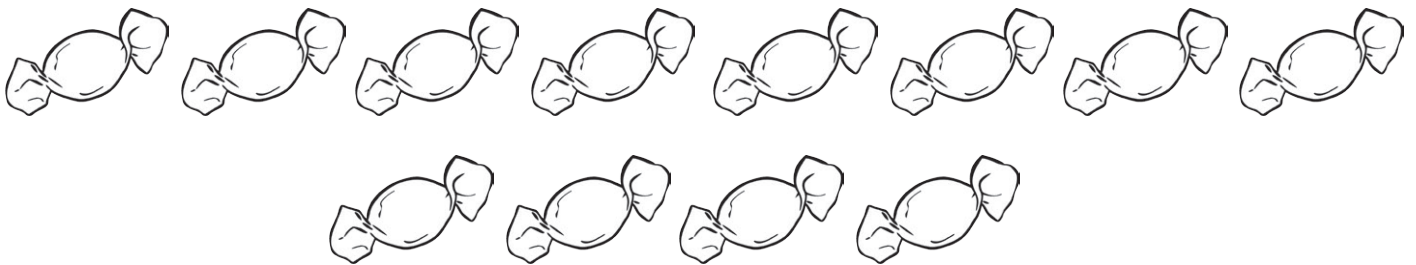
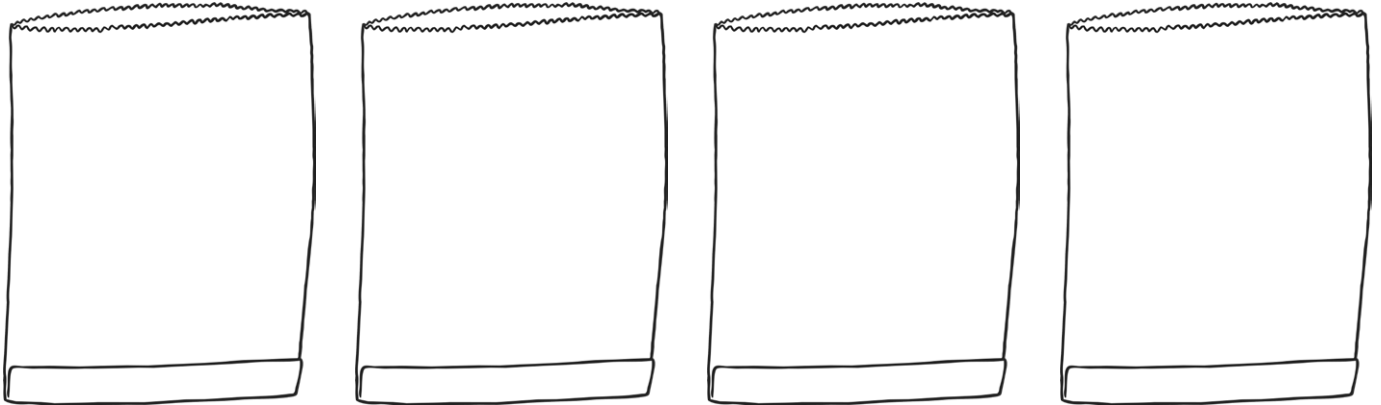
2. There are 16 coins. Put $\frac{1}{4}$ of the coins into each chest.



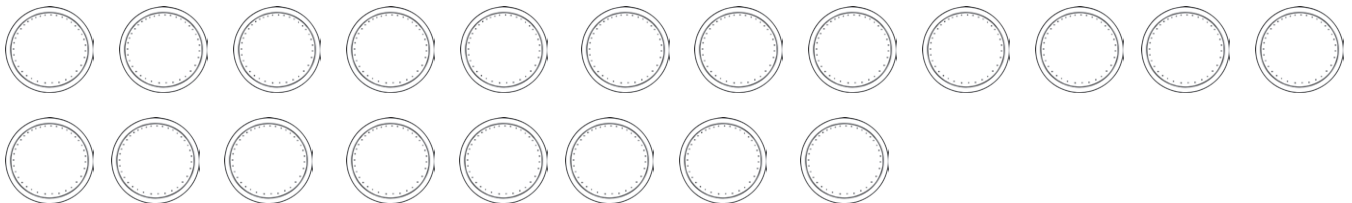
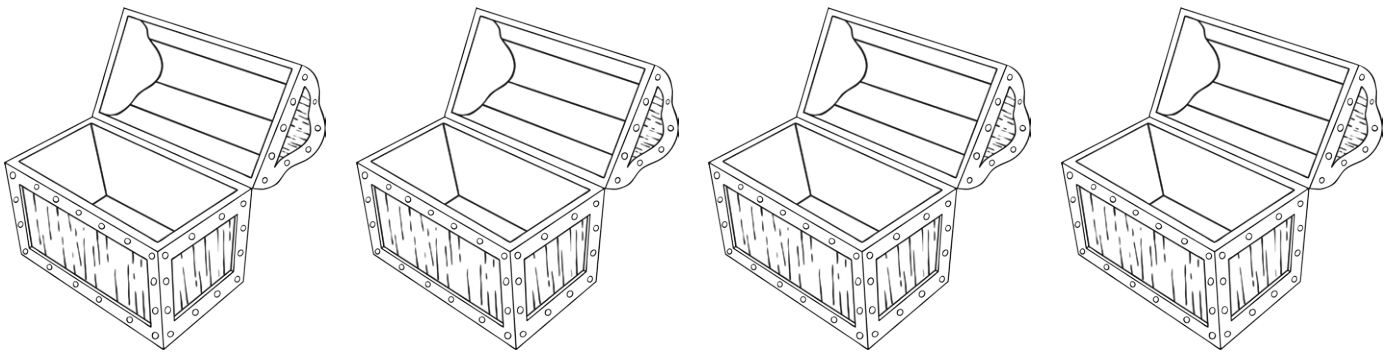
3. There are 20 children in the class. $\frac{1}{4}$ of them are boys. Draw the boys.

Finding Quarters

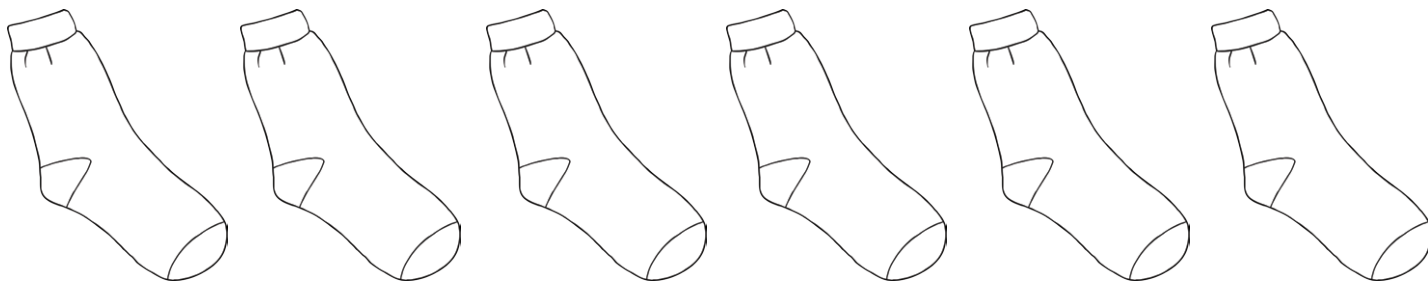
1. There are 12 sweets. Put $\frac{1}{4}$ of the sweets into each bag.



2. There are 20 coins. Put $\frac{1}{4}$ of the coins into each chest.



3. Colour $\frac{1}{4}$ of the socks.



4. There are 28 children in the class. $\frac{1}{4}$ of them are girls. Draw the girls.