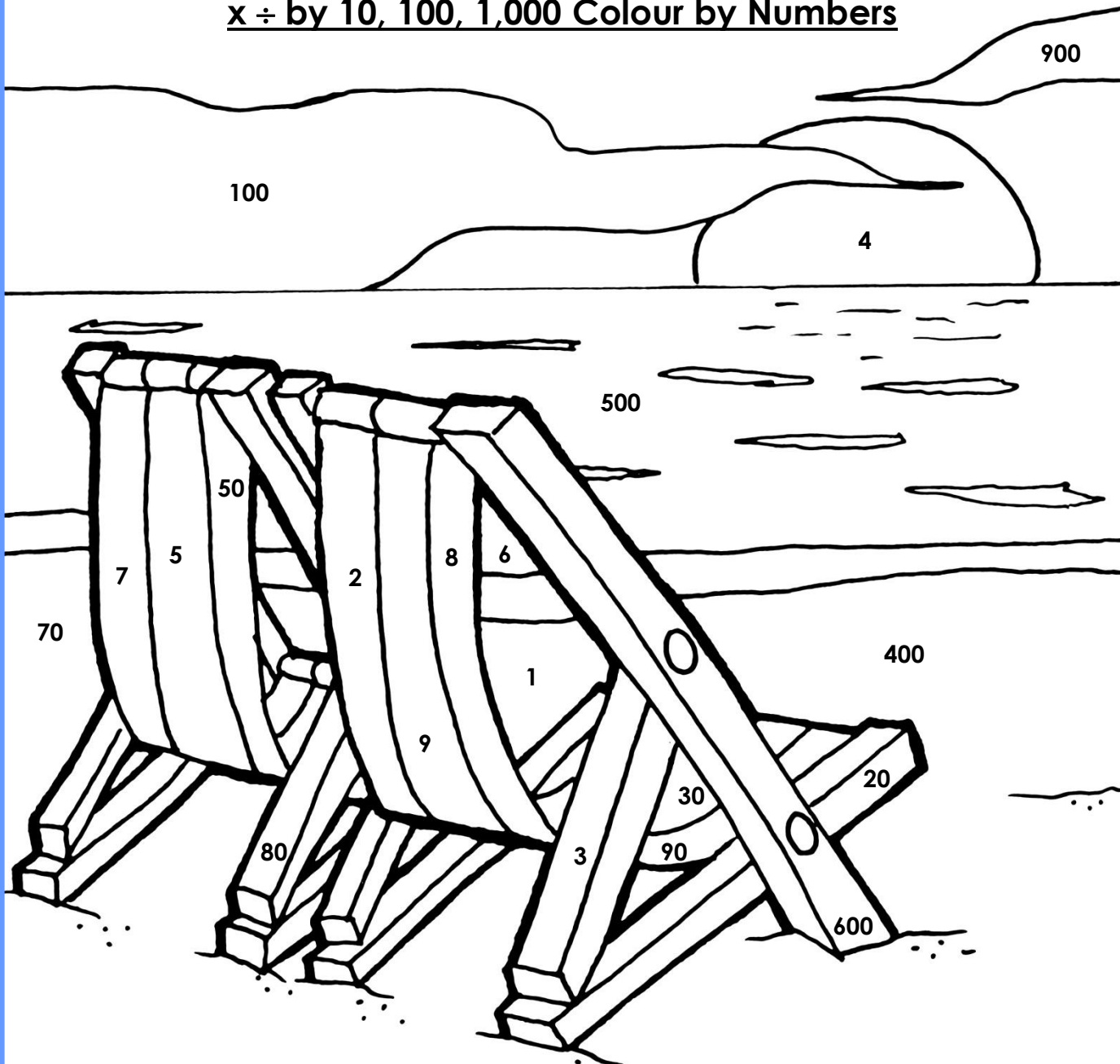


x ÷ by 10, 100, 1,000 Colour by Numbers



Match the answers to the calculations and colour them correctly.

Dark Blue

$500 \div 100$

$90 \div 10$

3×10

Red

$20 \div 10$

$800 \div 100$

9×10

Brown

$30 \div 10$

6×100

8×10

2×10

Yellow

$100 \div 100$

10×10

4×100

7×10

9×100

Orange

$400 \div 100$

$70 \div 10$

5×10

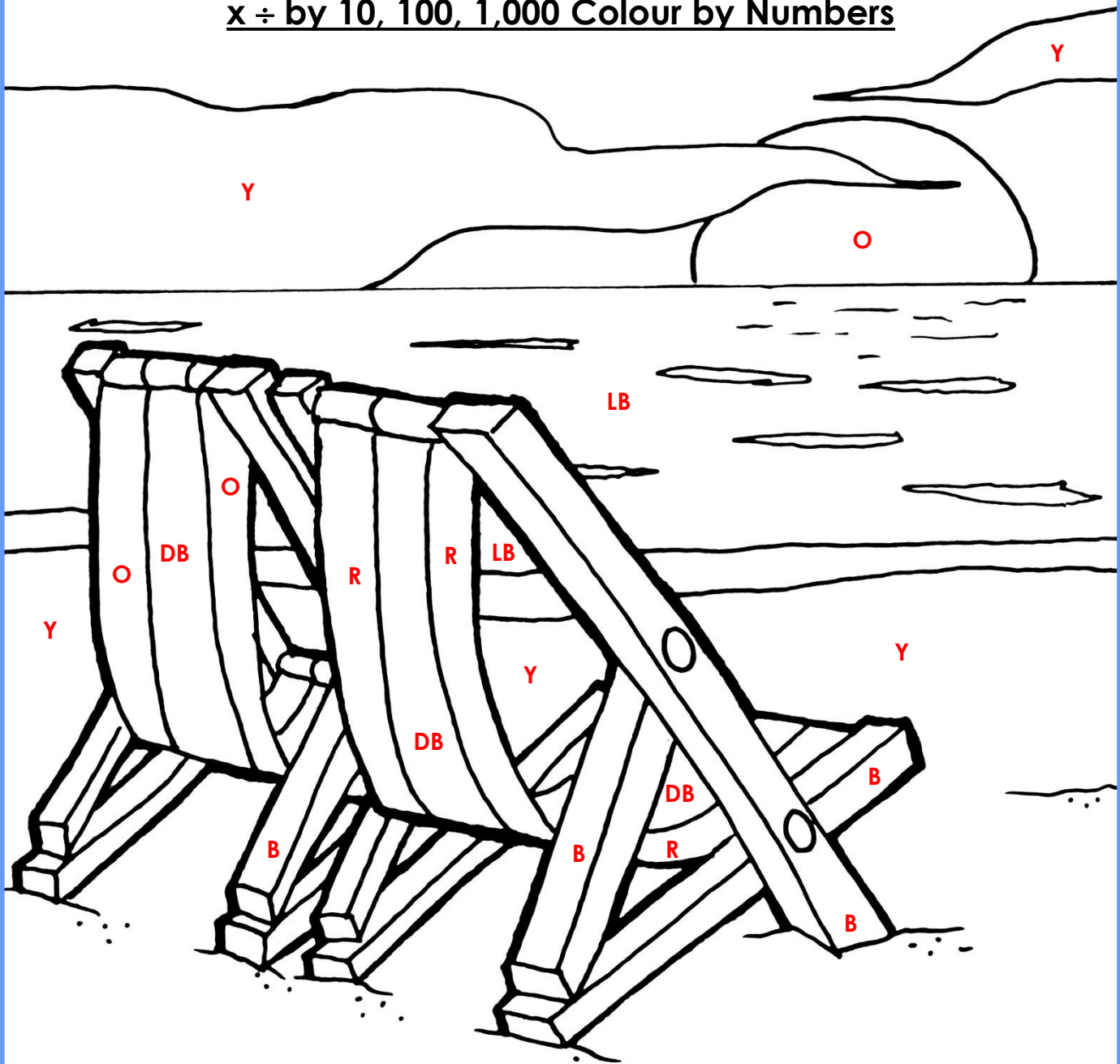
Light Blue

$60 \div 10$

5×100

Now colour the rest of the picture.

x ÷ by 10, 100, 1,000 Colour by Numbers



Match the answers to the calculations and colour them correctly.

Dark Blue (DB)

$$500 \div 100 = 5$$

$$90 \div 10 = 9$$

$$3 \times 10 = 30$$

Yellow (Y)

$$100 \div 100 = 1$$

$$10 \times 10 = 100$$

$$4 \times 100 = 400$$

$$7 \times 10 = 70$$

$$9 \times 100 = 900$$

Red (R)

$$20 \div 10 = 2$$

$$800 \div 100 = 8$$

$$9 \times 10 = 90$$

Orange (O)

$$400 \div 100 = 4$$

$$70 \div 10 = 7$$

$$5 \times 10 = 50$$

Brown (B)

$$30 \div 10 = 3$$

$$6 \times 100 = 600$$

$$8 \times 10 = 80$$

$$2 \times 10 = 20$$

Light Blue (LB)

$$60 \div 10 = 6$$

$$5 \times 100 = 500$$

Now colour the rest of the picture.